

M16R on a Caterpillar 938H

Lifting Capacity

- Maximum Lift: 16,000 lb (7,258 kg)*
- Maximum Load: 10,400 lb (4,717 kg)*
- Maximum Working Load: 10,400 lb (4,717 kg)*

*@ 4 ft overhang

Boom and Blocks

- Standard Boom: 8-13 ft (2.4-4 m) telescoping
- Load Line Parts: 2
- Typical Hook Speed (HI/LOW): 90 ft/min (27.4 m/min)

Hydraulic System

- Directional Control Valve: 3-Section, open or closed center with cable controls
- Maximum Operating Pressure: 3,600 psi (248 bar)
- Maximum Allowable Flow: 45 gpm (170 l/min)

Winches

Load Winch

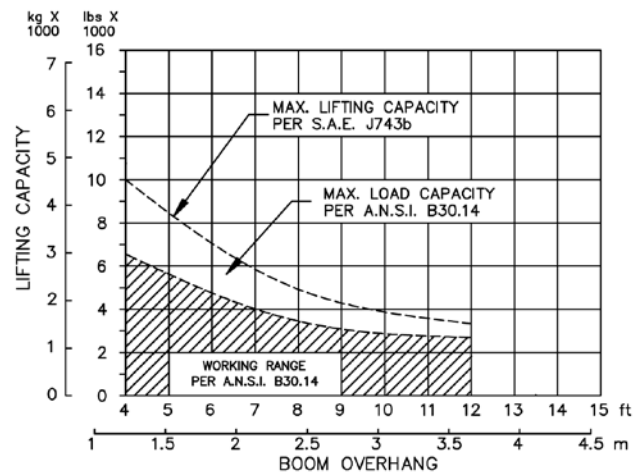
- Plantery, single speed, dual brake system
- Wire rope installed: 50 ft (15.2 m)
- Max. cable capacity: 102 ft (31.1 m)
- Wire Rope Diameter: 1/2 in (13 mm)*
- * Minimum breaking strength: 26,600 lb (12,065 kg)

Weights

- Removable counterweight segments: 2,500 lb (1,134kg)
- Total sideboom attachment weight: 2,000 lb (907 kg) (counterweight not included)
- Total shipping weight: 35,190 lb (15,961 kg)



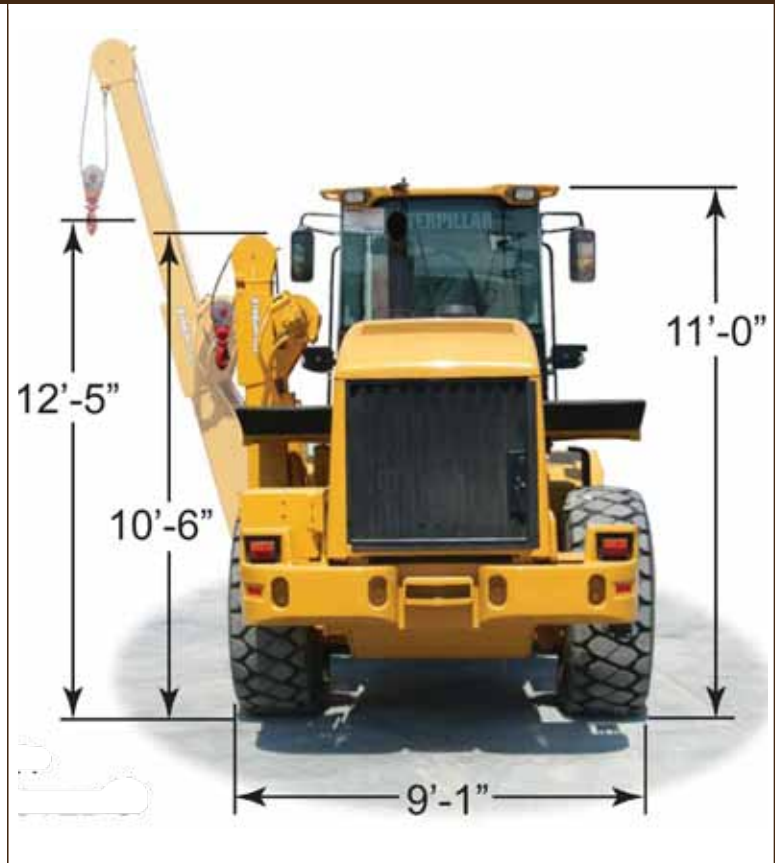
M16R Hydraulic Telescopic Sideboom Attachment



M16R on a Caterpillar 938H

Features

- Tubular telescoping boom engineered for exceptional support at maximum lift capacity and ease of transportation.
- Three lever cable control system for all sideboom functions. The controls are easy to operate and require minimal operator training.
- System employs tractor's existing hydraulic pump, filter and reservoir for convenience of replacement parts and maintenance.
- Sideboom attachment can be used in conjunction with tractor's original equipment.



M16R Hydraulic Telescopic Sideboom Attachment

Midwestern's sidebooms are manufactured, installed, and tested to meet the requirements outlined in ANSI/AMSE B30. 14-2004 for sideboom tractors. Capacity ratings are made with the tractor on flat, level ground with the rating load hanging from the load-line hook per SAE J743-92. All Midwestern structural welding complies with the American Welding Society (AWS) Code Welding Earthmoving and Construction Equipment D14.3-94.