

## M10R on a Caterpillar 420D

### Lifting Capacity

- Maximum Lift: 10,000 lb (4,536 kg)\*
- Maximum Load: 6,500 lb (2,948 kg)\*
- Maximum Working Load: 5,100 lb (2,313 kg)\*

\*@ 4 ft overhang

### Boom and Blocks

- Standard Boom: 7-12 ft (2.1-3.7 m) telescoping
- Load Line Parts: 1
- Typical Hook Speed: 65 ft/min (19.8 m/min)

### Hydraulic System

- Directional Control Valve: 3-Section, open or closed center with cable controls
- Maximum Operating Pressure: 3,000 psi (207 bar)
- Maximum Allowable Flow: 20 gpm (76 l/min)

### Winches

#### Load Winch

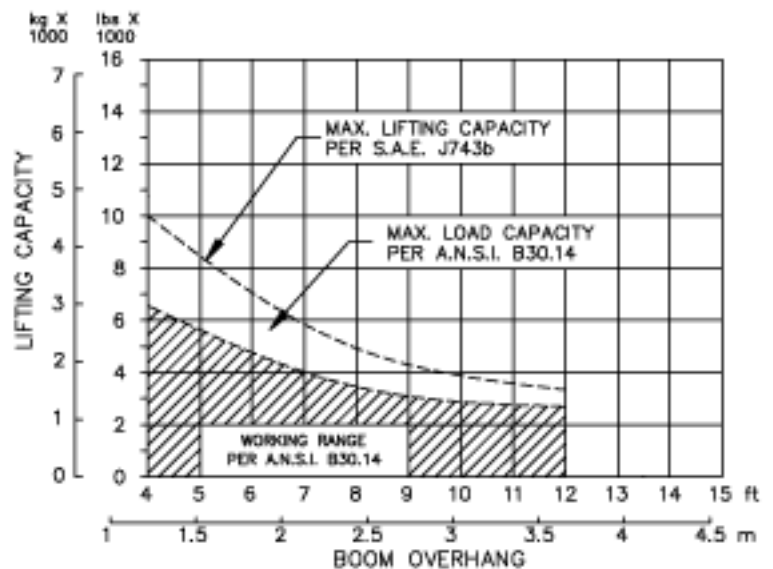
- Worm gear, single speed
- Wire rope installed: 45 ft (13.7 m)
- Max. cable capacity: 44 ft (13.4 m)
- Wire Rope Diameter: 7/16 in (11 mm)\*
- \* Minimum breaking strength: 20,400 lb (9,253kg)

### Weights

- Removable counterweight segments: 700 lb (318 kg) each
- Total sideboom attachment weight: 1,700 lb (771 kg)



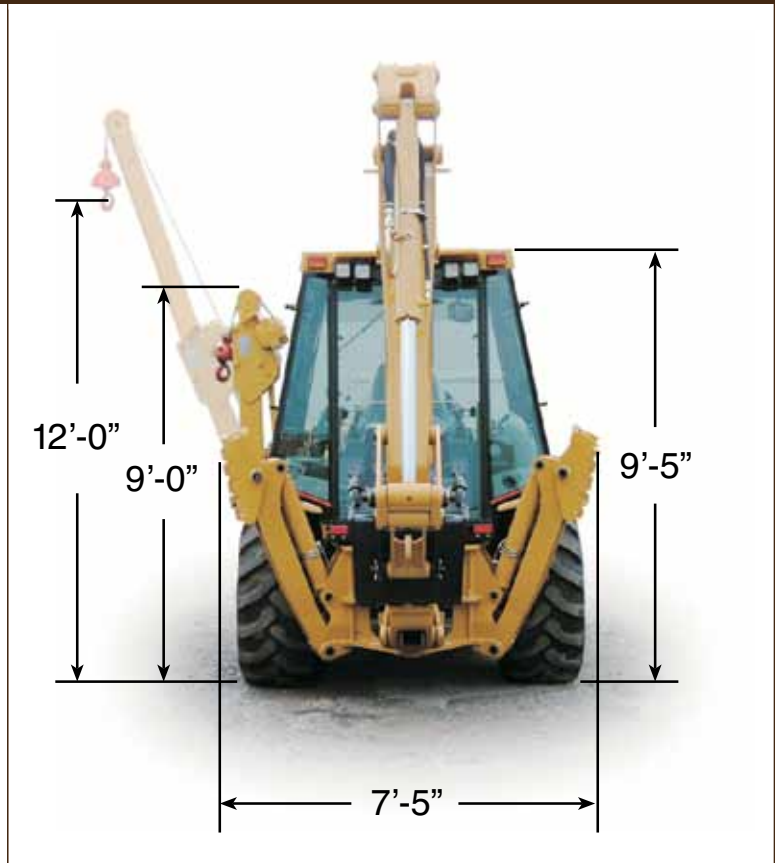
## M10R Hydraulic Telescopic Sideboom Attachment



## M10R on a Caterpillar 420D

### Features

- Tubular telescoping boom engineered for exceptional support at maximum lift capacity and ease of transportation.
- Three lever cable control system for all sideboom functions. The controls are easy to operate and require minimal operator training.
- System employs tractor's existing hydraulic pump, filter and reservoir for convenience of replacement parts and maintenance.
- Sideboom attachment can be used in conjunction with tractor's original equipment.



## M10R Hydraulic Telescopic Sideboom Attachment

Midwestern's sidebooms are manufactured, installed, and tested to meet the requirements outlined in ANSI/AMSE B30. 14-2004 for sideboom tractors. Capacity ratings are made with the tractor on flat, level ground with the rating load hanging from the load-line hook per SAE J743-92. All Midwestern structural welding complies with the American Welding Society (AWS) Code Welding Earthmoving and Construction Equipment D14.3-94.